

Alternating Relay

Alternating Control Model #ALTDIN

The **Model ALTDIN** alternating relay is designed for alternating controls to increase life of loads by sharing run times. It comes in the popular DIN rail mount case. Five models and two power supplies meet wide power supply requirements. External cross wiring allows lead-lag controls. An open on the control input allows the internal relay to switch between two to six loads as displayed by the LED's. Applications include waste water and HVAC controls for alternating pumps, compressors, blowers, solenoids, etc.

Features

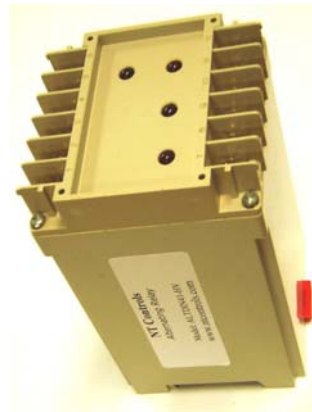
- Wide power supply input
- DIN mount base
- Alternate 2 to 6 loads
- 10A, 250Vac rated output

Benefits

- AC model has 90-260Vac input
- Industry standard
- Covers all applications
- Industrial rated output relay

Technical Data:

Input (Model HV).....	90 to 260Vac
Input (Model LV).....	12 to 35 Vac/Vdc
Frequency.....	50 to 60Hz
Max. Power Consumption.....	2VA
Output.....	10A resistive
	250Vac/30Vdc
Isolation.....	≥1500 V RMS
Temp. Rating.....	-10°C to 60°C
	14°F to 140°F
Mounting.....	DIN rail
Approvals.....	Pending



Ordering Information

Model #	#Loads	Input	Rev 2/10 List Price (US\$)
ALTDIN21-HV.....	2	90-260 Vac.....	\$64.00
ALTDIN21-LV	2	12-35 Vac/Vdc.....	\$64.00
ALTDIN31-HV.....	3	90-260 Vac.....	\$124.00
ALTDIN31-LV	3	12-35 Vac/Vdc.....	\$124.00
ALTDIN41-HV.....	4	90-260 Vac.....	\$144.00
ALTDIN41-LV	4	12-35 Vac/Vdc.....	\$144.00
ALTDIN51-HV.....	5	90-260 Vac.....	\$174.00
ALTDIN51-LV	5	12-35 Vac/Vdc.....	\$174.00
ALTDIN61-HV.....	6	90-260 Vac.....	\$194.00
ALTDIN61-LV	6	12-35 Vac/Vdc.....	\$194.00

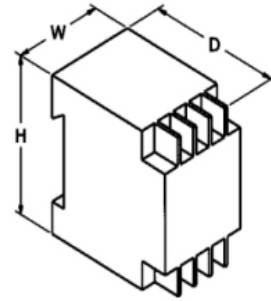
FAX Orders: (888) 393-8529
 PHONE Orders: (802) 295-1400
 EMAIL Orders: sales@ntcontrols.com

NT Controls, Inc.
 PO Box 4150
 White River Junction, VT 05001

Alternating Relay Model #ALTDIN

Dimensions: Inches (millimeters)

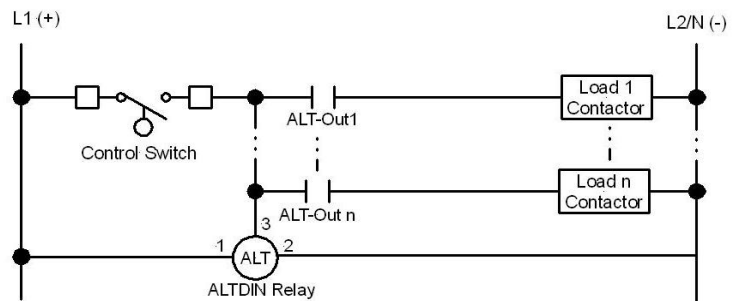
Model	H	W	D
ALTDIN21	2.76 (70.1)	2.57 (65.3)	4.42 (112.3)
ALTDIN31	2.76 (70.1)	2.57 (65.3)	4.42 (112.3)
ALTDIN41	2.76 (70.1)	2.57 (65.3)	4.42 (112.3)
ALTDIN51	2.76 (70.1)	3.23 (82)	4.42 (112.3)
ALTDIN61	2.76 (70.1)	3.23 (82)	4.42 (112.3)



Applications:

Alternating Example

Power should be applied to pins 1 and 2 at all times. In the off state, the control switch is open (pin 3) and the alternating relay is energized in the OUT1 position. When the control switch closes (pin 3 to pin 1), the OUT1 load is energized. When the control switch opens, the alternating relay is energized in the OUT2 position and the OUT2 load is energized. And the process repeats itself to the next OUT until it resets back to OUT1.



FAX Orders: (888) 393-8529
 PHONE Orders: (802) 295-1400
 EMAIL Orders: sales@ntcontrols.com

NT Controls, Inc.
 PO Box 4150
 White River Junction, VT 05001